



To include Earthing Nut

Fast Fit Glands!

TPBW RANGE

60% QUICKER INSTALLATION

Complete with the Award Winning EarthingNut™

Innovative Power Product of the Year

Taurus™ PEX® BW Indoor Brass Cable Gland Pack

with award-winning EarthingNut™

Application: Brass indoor gland suitable for all types of steel wire armoured cable (SWA), providing mechanical cable retention and electrical continuity via armour wire termination.

Operating Temperature: -80°C to + 300°C

Ingress Protection: IP2X

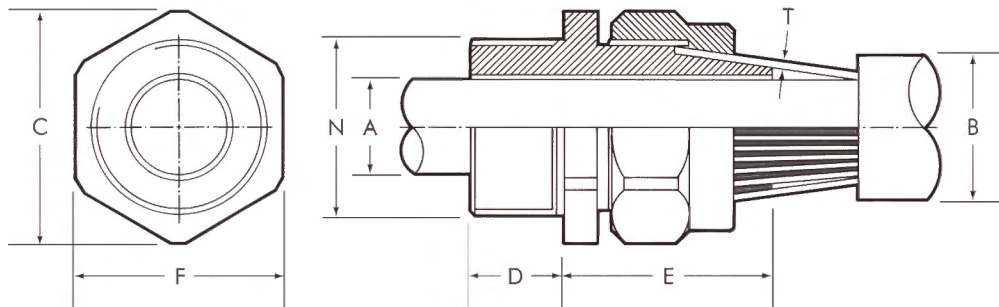
Approval: BS 6121 Part 1:2005



Everything supplied to terminate the gland in one convenient kit



Scan to view the demo



Part No.	Pack Quantity	Entry Thread		Cable Acceptance Details			Hexagonal Details		Assembled Length E
		Diameter N	Length D	Diameter A max	Diameter B max	Armour wire size T	A/F F	A/C C	
TPBW20S-PACK-EN	2	20	10	11.8	15.8	0.90/1.25	22.0	24.4	16.0
TPBW20-PACK-EN	2	20	10	13.8	19.5	0.90/1.25	25.0	27.7	17.0
TPBW25-PACK-EN	2	25	10	19.8	27.0	1.25/1.60	33.0	36.6	18.0
TPBW32-PACK-EN	2	32	10	26.4	33.5	1.60/2.00	40.0	44.4	21.0
TPBW40-PACK-EN	1	40	15	32.4	40.1	1.60/2.00	48.0	53.3	23.0
TPBW50-PACK-EN	1	50	15	44.0	52.6	2.00/2.50	62.5	69.4	25.0
TPBW63-PACK-EN	1	63	15	56.2	65.5	2.50	76.0	84.4	28.0

All dimensions are in mm.

Pack content: Gland(s), shroud(s), EarthingNut™(s) and Crimp Connectors.

Packs are also available with Low-smoke LSF shroud or

Low Smoke Zero-halogen LSZH shroud -

Suffix above part numbers with either -LSF or -LSZH



See page 44 for more information on EarthingNuts™